



## PRESSURE/TEMPERATURE, COMBINATION, AMPLIFIED, 212-64 SERIES TRANSDUCERS



Paine Electronics' **Amplified 212-64 Pressure & Temperature Combination Series** is offered in pressure ranges from **0-1,000** to **0-7,500 PSIA**, operates at temperatures from **-40°F** to **+250°F** (-40°C to +121°C) and provides high level output signal amplification.

Designed for extreme performance, reliability and stability in the toughest applications, the **212-64 Amplified Series** incorporates Paine's proprietary pressure sensor technology with innovative temperature sensing to provide rapid detection of changes in **pressure and temperature** in direct media stream immersion.

The **212-64 Amplified Series** can be provided with alternate port fittings and electrical connections to meet your specific requirements.

**Typical Applications:** Industrial/Plant Automation, Agricultural & Off-Road Equipment, Aerospace, Military Aircraft & Ground Vehicle Monitoring.

### Pressure Transducer Specifications: \*

**Pressure Range:** 0-1,000 to 0-7,500 PSIA.  
**Proof Pressure:** 150% of rated range.  
**Burst Pressure:** 250% of rated range.  
**Output at Zero Pressure:** 0.1 ± 0.1 VDC at 75°F.  
**Output at Rated Pressure:** 5.1 ± 0.1 VDC at 75°F.  
**Compensated Temperature Range:** -25°F to +250°F (-31°C to +121°C).  
**Non-Linearity & Hysteresis Combined:** ± 0.5% of full scale maximum, Best Straight Line Method (B.S.L.M).  
**Total Error Band (Non-Linearity, Hysteresis & Thermal Effects):** ± 1.5% of full scale maximum, B.S.L.M.

### Temperature Transducer Specifications: \*

**Platinum Resistance Temperature Detector (RTD):** 32°F (0°C), 1000 ± 0.06 to IEC 751, Class A, Alpha = .00385 nominal.  
**Operating Temperature Range:** -40°F to +250°F (-40°C to +121°C).  
**Calibrated Temperature Points:** 32°F to +212°F (-1.7°C to +100°C).  
**RTD Output at -25°F (-31°C):** 0.1 ± 0.5 VDC (Extrapolated).  
**RTD Output at 275°F (135°C):** 5.1 ± 0.1 VDC (Extrapolated).

### General Transducer Specifications: \*

**Pressure Media:** Any compatible with 15-5 PH CRES and 316 SS.  
**Pressure Fitting:** Per AS4395E04.  
**Storage Temperature Range:** -40°F to +250°F (-40°C to +121°C).  
**Input Voltage:** 9.0 VDC minimum, 38 VDC maximum.  
**Maximum Current Consumption:** 34 mA at 20 VDC.  
**Insulation Resistance:** All pins together to case, 100 MΩ minimum at 50 VDC and +77°F (25°C) ± 5°F (-15°C).  
**Weight:** 0.25 lb (113 grams) maximum.  
**Electrical Connections:** 6 pin bayonet connector per MIL-C-26482H, MS33709-6.  
**Electrical Connections:** **Pin 1:** + Input, **Pin 2:** + Pressure Out, **Pin 3:** Output Return, **Pin 4:** Input Return, **Pin 5:** + Temperature Out, **Pin 6:** -Temperature Out.

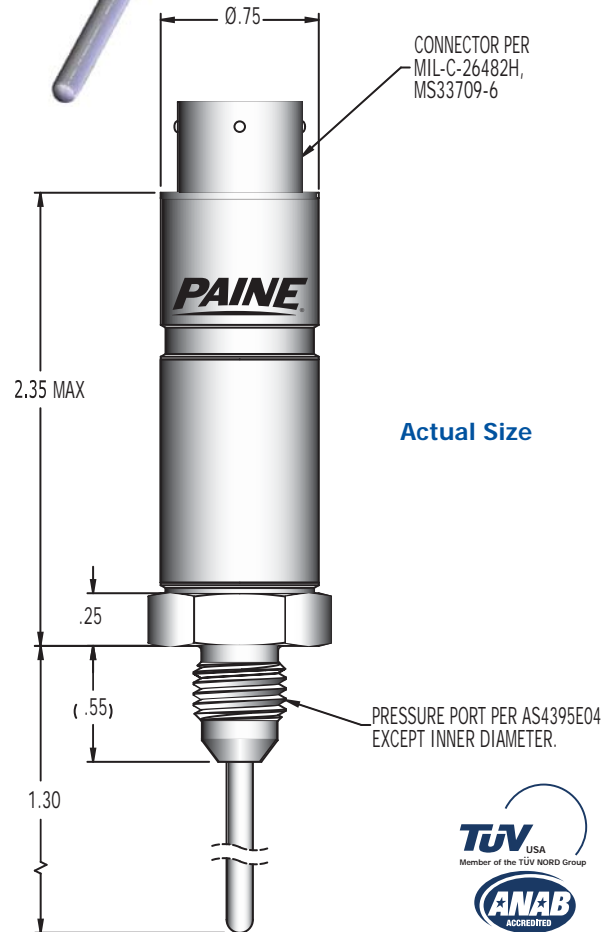
**Typical Performance:** Parameters are established from production units.

**Calibration Data:** Calibration Certificates are supplied with each unit.

Datasheet P/N: 212-64-010-DS\_REV-A



**212-64-010-XX**  
0-1,000 to 0-7,500 PSIA



Actual Size



\* Contact us or your authorized Paine Electronics representative for many more standard and/or custom configurations or options.

All specifications are subject to change or modification without notice. P A I N E ® is a registered trademark of Paine Electronics, LLC. Copyright © Paine Electronics, LLC | All Rights Reserved

Call or email us today for more information!

**509-881-2100**  
moreinfo@paineelectronics.com

**Paine Electronics, LLC**  
5545 Nelpar Drive, East Wenatchee WA 98802  
Tel: (509) 881-2100 | Fax: (509) 881-2115

Visit us on the web at:  
[www.paineelectronics.com](http://www.paineelectronics.com)