

TRANSMITTER, ABSOLUTE, 4-20MA, 500V PROTECTION



The 214-35-520 two-wire, 4-20 mA output transmitters offer excellent measurement properties and long service life with line transient protection up to 500V and supports pressure ranges from 0-1,000 to 0-20,000 PSIA.

The 214-35-520 is well suited for remote environments and operates at temperatures from -65°F to 230°F (-53°C to 110°C). With its all-welded, stainless steel construction for high reliability in the toughest environments, it can be manufactured to comply with specific and critical pressure monitoring demands and is available with optional features including specific pressure ranges, voltage inputs, electrical connections, pressure ports and special testing.



214-35-520-XX
0-1,000 to 0-20,000 PSIA

Specifications:

Typical Performance: The following parameters are established from production units.

Calibration Data: Calibration Certificates are supplied with each unit.

Performance: *

Static Error Band: Includes the effects of non-linearity, hysteresis and repeatability. The static error band shall not exceed ±0.50% of the full scale output (Best Straight Line Method).

Thermal Zero Shift: 0.01% of Full Scale per °F maximum across the compensated temperature range.

Thermal Sensitivity Shift: 0.01% of Full Scale per °F maximum across the compensated temperature range.

Zero Pressure Output: 4.00 ± 0.16 mA.

Output at Full Scale Pressure: 20.00 ± 0.16 mA.

Operating Temperature Range: -65°F to +230°F (-53°C to +110°C).

Compensated Temperature Range: -25°F to +185°F (-31°C to +85°C).

Mechanical: *

Pressure Range: 0-1,000 to 0-20,000 PSIA (depending on part option).

Proof Pressure: 150% of rated range.

Burst Pressure: 200% of rated range.

External Case Pressure: 6,500 PSIG.

Pressure Media: Any compatible with 17-4 PH and 15-5 CRES.

Electrical Connections: Insulated wires, 18 AWG minimum.

Pressure Port: 1/4-18 NPT internal thread.

Weight: 10 ounces maximum (0.28 kg)

Environmental: Error due to combined effect of shock, vibration, and acceleration shall be less than 0.010% of Full Scale per G.

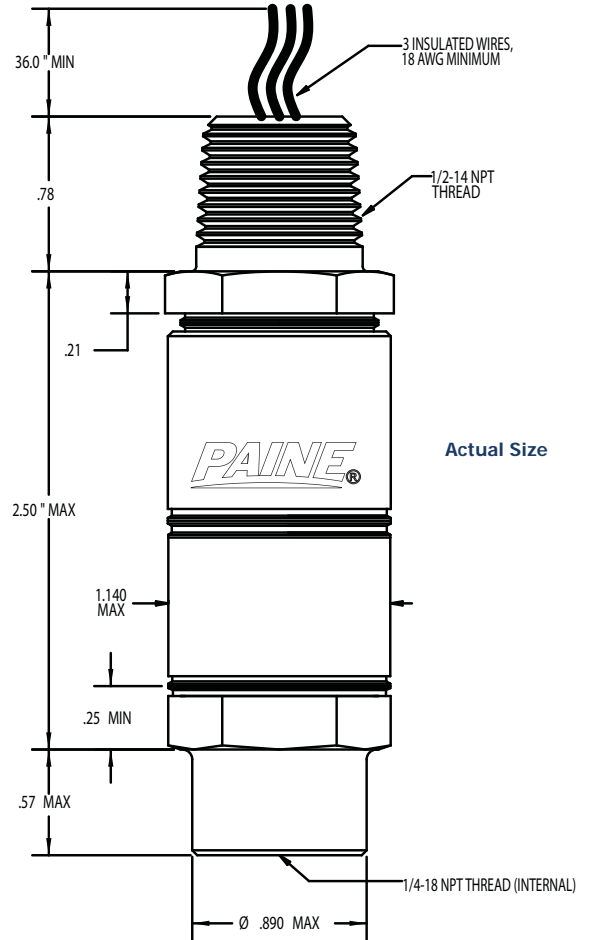
Electrical: *

Input Voltage: +10 to + 24 VDC.

Signal Current: 4-20 mA.

Insulation Resistance: Black and White leads to case: 100MΩ minimum at 100 VDC.

Electrical Connections: Black= + Input, White= Input Return, Green= Case Ground



Paine Electronics, LLC is a proud ISO-9001/AS9100 registered company

Datasheet P/N: 214-35-520-DS_REV-C

* Contact us or your authorized Paine Electronics representative for other standard and/or custom configurations or options.

All specifications are subject to change or modification without notice. PAINE® is a registered trademark of Paine Electronics, LLC. Copyright © Paine Electronics, LLC | All Rights Reserved

Call or email us today for more information!

509-881-2100
moreinfo@paineelectronics.com

Paine Electronics, LLC
5545 Nelpar Drive, East Wenatchee WA 98802
Tel: (509) 881-2100 | Fax: (509) 881-2115

Visit us on the web at:
www.paineelectronics.com